

Technical data sheet



Product features

Boiling kettle electric indirect 50 l

Model	SAP Code	00013693
--------------	-----------------	----------



- Device type: Electric unit
- Steam pressure regulation: Automatic - the pressure switch regulates the performance of the device
- Filling: Mechanical cock
- Jacket filling: Semi-automatic
- Drain: Yes
- Basin volume [l]: 50
- Usable volume [l]: 50

SAP Code	00013693	Power electric [kW]	12.000
Net Width [mm]	800	Loading	400 V / 3N - 50 Hz
Net Depth [mm]	700	Basin volume [l]	50
Net Height [mm]	900	Usable volume [l]	50
Net Weight [kg]	80.00	Steam pressure regulation	Automatic - the pressure switch regulates the performance of the device

Technical data sheet



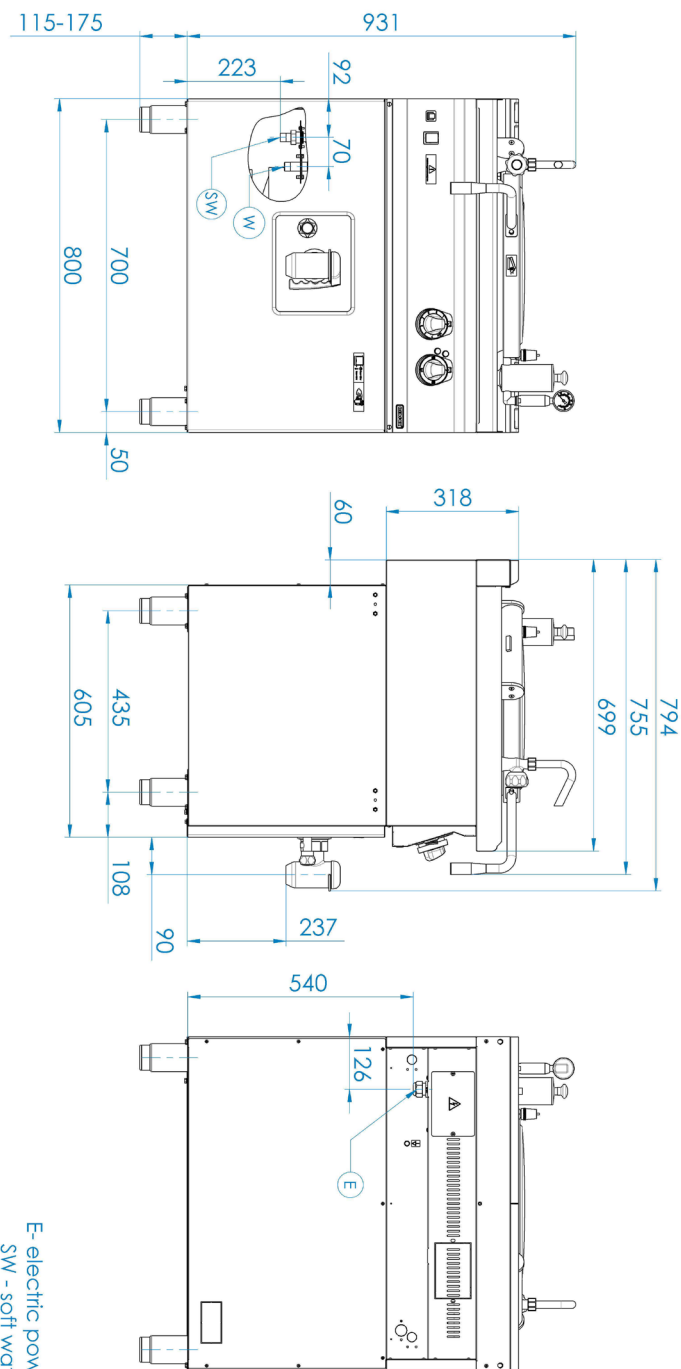
Technical drawing

Boiling kettle electric indirect 50 l

Model

SAP Code

00013693



Technical data sheet



Technical parameters

Boiling kettle electric indirect 50 l

Model	SAP Code	00013693
--------------	-----------------	----------

1. SAP Code:

00013693

2. Net Width [mm]:

800

3. Net Depth [mm]:

700

4. Net Height [mm]:

900

5. Net Weight [kg]:

80.00

6. Gross Width [mm]:

840

7. Gross depth [mm]:

800

8. Gross Height [mm]:

975

9. Gross Weight [kg]:

95.00

10. Device type:

Electric unit

11. Construction type of device:

With substructure

12. Power electric [kW]:

12.000

13. Loading:

400 V / 3N - 50 Hz

14. Material:

AISI 304 top plate, AISI 430 cladding

15. Worktop material:

AISI 304

16. Worktop Thickness [mm]:

1.20

17. Basin volume [l]:

50

18. Service accessibility:

Trough the frontal panel

19. Safety element:

steam pressure regulation by a safety safety valve

20. Safety thermostat:

Yes

21. Adjustable feet:

Yes

22. Bottom material:

AISI 316

23. Type of pan:

Fixed

24. Usable volume [l]:

50

25. Filling:

Mechanical cock

26. Jacket filling:

Semi-automatic

27. Steam pressure regulation:

Automatic - the pressure switch regulates the performance of the device

28. Type of drain valve:

with safety lock

Technical data sheet



Technical parameters

Boiling kettle electric indirect 50 l

Model

SAP Code

00013693

29. Manometer:

Yes

32. Cross-section of conductors CU [mm²]:

4

– Výkon (kW): 30-37 (230 V); 53-64 (400 V)

30. Water filling type:

Cold

33. Water supply connection:

1/2"

31. Drain:

Yes